

1.3.9 Dimensions of the EG/QE block

1.3.9.1 EGH/QEH

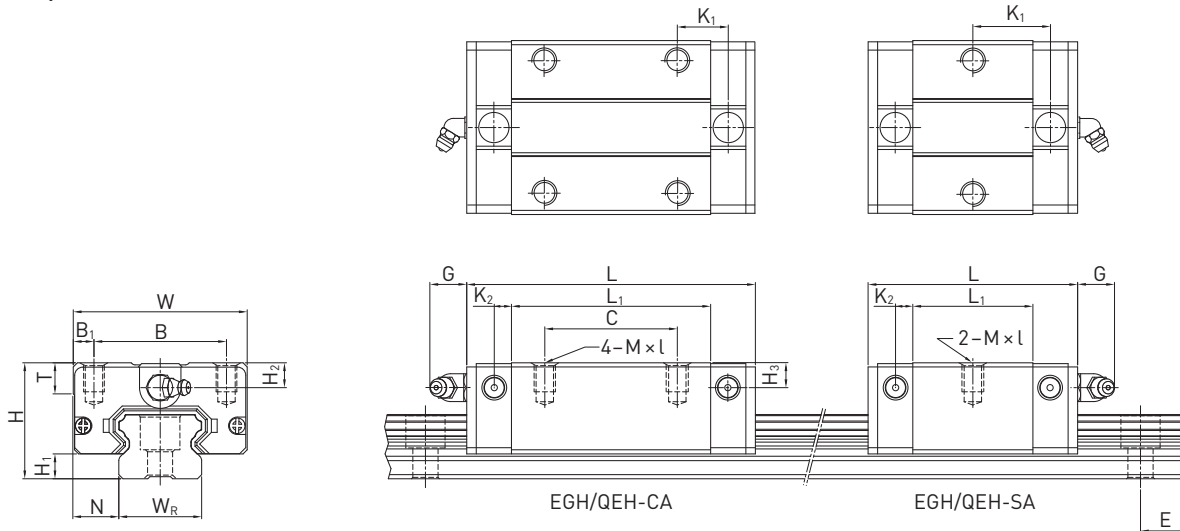


Table 1.26 Dimensions of the block

Series Size	Installation dim. [mm]			Dimensions of the block [mm]													Load Ratings [N]		Mass [kg]
	H	H ₁	N	W	B	B ₁	C	L ₁	L	K ₁	K ₂	G	M × l	T	H ₂	H ₃	C _{dyn}	C ₀	
EGH15SA	24	4,5	9,5	34	26,0	4,0	—	23,1	40,1	14,80	3,50	5,7	M4 × 6	6,0	5,50	6,0	5350	9400	0,09
EGH15CA							26	39,8	56,8	10,15							7830	16190	0,15
QEH15SA	24	4,0	9,5	34	26,0	4,0	—	23,1	40,1	14,80	—	5,7	M4 × 6	6,0	5,50	6,0	8560	8790	0,09
QEH15CA							26	39,8	56,8	10,15							12530	15280	0,15
EGH20SA	28	6,0	11,0	42	32,0	5,0	—	29,0	50,0	18,75	4,15	12,0	M5 × 7	7,5	6,00	6,0	7230	12740	0,15
EGH20CA							32	48,1	69,1	12,30							10310	21130	0,24
QEH20SA	28	6,0	11,0	42	32,0	5,0	—	29,0	50,0	18,75	—	12,0	M5 × 7	7,5	6,00	6,5	11570	12180	0,15
QEH20CA							32	48,1	69,1	12,30							16500	20210	0,23
EGH25SA	33	7,0	12,5	48	35,0	6,5	—	35,5	59,1	21,90	4,55	12,0	M6 × 9	8,0	8,00	8,0	11400	19500	0,25
EGH25CA							35	59,0	82,6	16,15							16270	32400	0,41
QEH25SA	33	6,2	12,5	48	35,0	6,5	—	35,5	60,1	21,90	—	12,0	M6 × 9	8,0	8,00	8,0	18240	18900	0,24
QEH25CA							35	59,0	83,6	16,15							26030	31490	0,40
EGH30SA	42	10,0	16,0	60	40,0	10,0	—	41,5	69,5	26,75	6,00	12,0	M8 × 12	9,0	8,00	9,0	16420	28100	0,45
EGH30CA							40	70,1	98,1	21,05							23700	47460	0,76
QEH30SA	42	10,0	16,0	60	40,0	10,0	—	41,5	67,5	25,75	—	12,0	M8 × 12	9,0	8,00	9,0	26270	27820	0,44
QEH30CA							40	70,1	96,1	20,05							37920	46630	0,75
EGH35SA	48	11,0	18,0	70	50,0	10,0	—	45,0	75,0	28,50	7,00	12,0	M8 × 12	10,0	8,50	8,5	22660	37380	0,74
EGH35CA							50	78,0	108,0	20,00							33350	64840	1,10
QEH35SA	48	11,0	18,0	70	50,0	10,0	—	51,0	76,0	30,30	—	12,0	M8 × 12	10,0	8,50	8,5	36390	36430	0,58
QEH35CA							50	83,0	108,0	21,30							51180	59280	0,90

Dimensions of the rail see page 31, standard- and optional lubrication adapters see page 86.