

# Linear Guideways

## EG/QE series

### 1.3.9.2 EGW/QEW

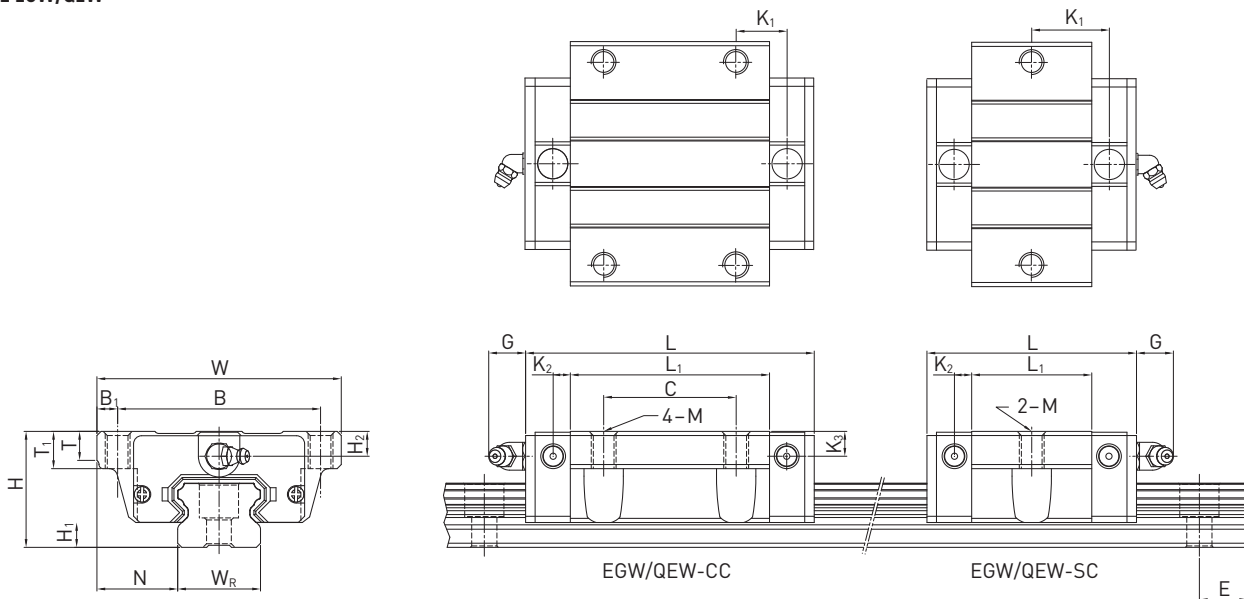


Table 1.27 Dimensions of the block

Series Size	Installation dim. [mm]			Dimensions of the block [mm]														Load Ratings [N]		Mass [kg]
	H	H <sub>1</sub>	N	W	B	B <sub>1</sub>	C	L <sub>1</sub>	L	K <sub>1</sub>	K <sub>2</sub>	G	M	T	T <sub>1</sub>	H <sub>2</sub>	H <sub>3</sub>	C <sub>dyn</sub>	C <sub>0</sub>	
EGW15SC	24	4,5	18,5	52	41,0	5,5	—	23,1	40,1	14,80	3,50	5,7	M5	5,0	7,0	5,50	6,0	5350	9400	0,12
EGW15CC							26	39,8	56,8	10,15								7830	16190	
QEW15SC	24	4,0	18,5	52	41,0	5,5	—	23,1	40,1	14,80	—	5,7	M5	5,0	0,0	5,50	6,0	8560	8790	0,12
QEW15CC							26	39,8	56,8	10,15								12530	15280	
EGW20SC	28	6,0	19,5	59	49,0	5,0	—	29,0	50,0	18,75	4,15	12,0	M6	7,0	9,0	6,00	6,0	7230	12740	0,19
EGW20CC							32	48,1	69,1	12,30								10310	21130	
QEW20SC	28	6,0	19,5	59	49,0	5,0	—	29,0	50,0	18,75	—	12,0	M6	7,0	0,0	6,00	6,5	11570	12180	0,19
QEW20CC							32	48,1	69,1	12,30								16500	20210	
EGW25SC	33	7,0	25,0	73	60,0	6,5	—	35,5	59,1	21,90	4,55	12,0	M8	7,5	10,0	8,00	8,0	11400	19500	0,35
EGW25CC							35	59,0	82,6	16,15								16270	32400	
QEW25SC	33	6,2	25,0	73	60,0	6,5	—	35,5	60,1	21,90	—	12,0	M8	7,5	0,0	8,00	8,0	18240	18900	0,34
QEW25CC							35	59,0	83,6	16,15								26030	31490	
EGW30SC	42	10,0	31,0	90	72,0	9,0	—	41,5	69,5	26,75	6,00	12,0	M10	7,0	10,0	8,00	9,0	16420	28100	0,62
EGW30CC							40	70,1	98,1	21,05								23700	47460	
QEW30SC	42	10,0	31,0	90	72,0	9,0	—	41,5	67,5	25,75	—	12,0	M10	7,0	0,0	8,00	9,0	26270	27820	0,61
QEW30CC							40	70,1	96,1	20,05								37920	46630	
EGW35SC	48	11,0	33,0	100	82,0	9,0	—	45,0	75,0	28,50	7,00	12,0	M10	10,0	13,0	8,50	8,5	22660	37380	0,91
EGW35CC							50	78,0	108,0	20,00								33350	64840	
QEW35SC	48	11,0	33,0	100	82,0	9,0	—	51,0	76,0	30,30	—	12,0	M10	10,0	13,0	8,50	8,5	36390	36430	0,77
QEW35CC							50	83,0	108,0	21,30								51180	59280	

Dimensions of the rail see page 31, standard- and optional lubrication adapters see page 86.