

## 1.2.9 Dimensions of the HG/QH block

### 1.2.9.1 HGH/QHH

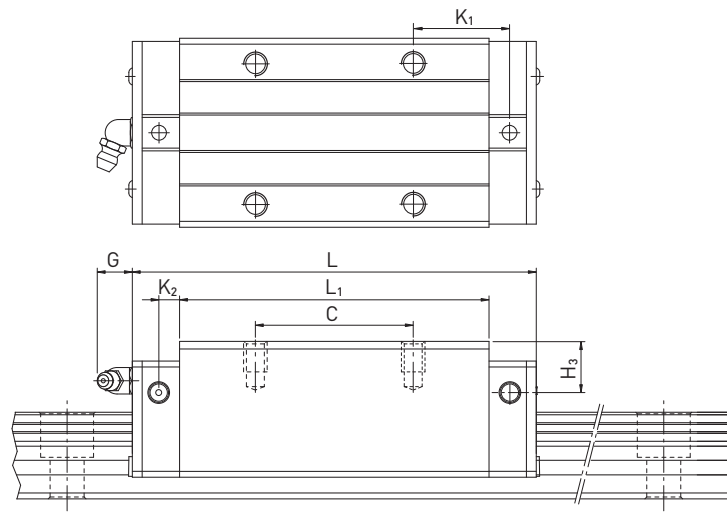
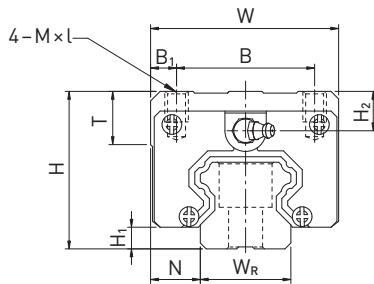


Table 1.5 Dimensions of the block

| Series Size | Installation dim. [mm] |                |      | Dimensions of the block [mm] |      |                |     |                |       |                |                |      |          |      |                |                | Load Ratings [N] |                | Mass [kg] |
|-------------|------------------------|----------------|------|------------------------------|------|----------------|-----|----------------|-------|----------------|----------------|------|----------|------|----------------|----------------|------------------|----------------|-----------|
|             | H                      | H <sub>1</sub> | N    | W                            | B    | B <sub>1</sub> | C   | L <sub>1</sub> | L     | K <sub>1</sub> | K <sub>2</sub> | G    | M × l    | T    | H <sub>2</sub> | H <sub>3</sub> | C <sub>dyn</sub> | C <sub>0</sub> |           |
| HGH15CA     | 28                     | 4,3            | 9,5  | 34                           | 26,0 | 4,0            | 26  | 39,4           | 61,4  | 10,00          | 4,85           | 5,3  | M4 × 5   | 6,0  | 7,95           | 7,7            | 11380            | 16970          | 0,18      |
| QHH15CA     | 28                     | 4,0            | 9,5  | 34                           | 26,0 | 4,0            | 26  | 39,4           | 61,4  | 0,00           | —              | 5,3  | M4 × 5   | 6,0  | 7,95           | 8,2            | 13880            | 14360          | 0,18      |
| HGH20CA     | 30                     | 4,6            | 12,0 | 44                           | 32,0 | 6,0            | 36  | 50,5           | 77,5  | 12,25          | 6,00           | 12,0 | M5 × 6   | 8,0  | 6,00           | 6,0            | 17750            | 27760          | 0,30      |
| HGH20HA     |                        |                |      |                              |      |                | 50  | 65,2           | 92,2  | 12,60          |                |      |          |      |                |                | 21180            | 35900          | 0,39      |
| QHH20CA     | 30                     | 4,6            | 12,0 | 44                           | 32,0 | 6,0            | 36  | 50,5           | 76,7  | 0,00           | —              | 12,0 | M5 × 6   | 8,0  | 6,00           | 6,0            | 23080            | 25630          | 0,29      |
| QHH20HA     |                        |                |      |                              |      |                | 50  | 65,2           | 91,4  |                |                |      |          |      |                |                | 27530            | 31670          | 0,38      |
| HGH25CA     | 40                     | 5,5            | 12,5 | 48                           | 35,0 | 6,5            | 35  | 58,0           | 84,0  | 16,80          | 6,00           | 12,0 | M6 × 8   | 8,0  | 10,00          | 9,0            | 26480            | 36490          | 0,51      |
| HGH25HA     |                        |                |      |                              |      |                | 50  | 78,6           | 104,6 | 19,60          |                |      |          |      |                |                | 32750            | 49440          | 0,69      |
| QHH25CA     | 40                     | 5,5            | 12,5 | 48                           | 35,0 | 6,5            | 35  | 58,0           | 83,4  | 0,00           | —              | 12,0 | M6 × 8   | 8,0  | 10,00          | 9,0            | 31780            | 33680          | 0,50      |
| QHH25HA     |                        |                |      |                              |      |                | 50  | 78,6           | 104,0 |                |                |      |          |      |                |                | 39300            | 43620          | 0,68      |
| HGH30CA     | 45                     | 6,0            | 16,0 | 60                           | 40,0 | 10,0           | 40  | 70,0           | 97,4  | 20,25          | 6,00           | 12,0 | M8 × 10  | 8,5  | 9,50           | 13,8           | 38740            | 52190          | 0,88      |
| HGH30HA     |                        |                |      |                              |      |                | 60  | 93,0           | 120,4 | 21,75          |                |      |          |      |                |                | 47270            | 69160          | 1,16      |
| QHH30CA     | 45                     | 6,0            | 16,0 | 60                           | 40,0 | 10,0           | 40  | 70,0           | 97,4  | 0,00           | —              | 12,0 | M8 × 10  | 8,5  | 9,50           | 9,0            | 46490            | 48170          | 0,87      |
| QHH30HA     |                        |                |      |                              |      |                | 60  | 93,0           | 120,4 |                |                |      |          |      |                |                | 56720            | 65090          | 1,15      |
| HGH35CA     | 55                     | 7,5            | 18,0 | 70                           | 50,0 | 10,0           | 50  | 80,0           | 112,4 | 20,60          | 7,00           | 12,0 | M8 × 12  | 10,2 | 16,00          | 19,6           | 49520            | 69160          | 1,45      |
| HGH35HA     |                        |                |      |                              |      |                | 72  | 105,8          | 138,2 | 22,50          |                |      |          |      |                |                | 60210            | 91630          | 1,92      |
| QHH35CA     | 55                     | 7,5            | 18,0 | 70                           | 50,0 | 10,0           | 50  | 80,0           | 113,6 | 0,00           | —              | 12,0 | M8 × 12  | 10,2 | 15,50          | 13,5           | 60520            | 63840          | 1,44      |
| QHH35HA     |                        |                |      |                              |      |                | 72  | 105,8          | 139,4 |                |                |      |          |      |                |                | 73590            | 86240          | 1,90      |
| HGH45CA     | 70                     | 9,5            | 20,5 | 86                           | 60,0 | 13,0           | 60  | 97,0           | 139,4 | 23,00          | 10,00          | 12,9 | M10 × 17 | 16,0 | 18,50          | 30,5           | 77570            | 102710         | 2,73      |
| HGH45HA     |                        |                |      |                              |      |                | 80  | 128,8          | 171,2 | 28,90          |                |      |          |      |                |                | 94540            | 136460         | 3,61      |
| QHH45CA     | 70                     | 9,2            | 20,5 | 86                           | 60,0 | 13,0           | 60  | 97,0           | 139,4 | 0,00           | —              | 12,9 | M10 × 17 | 16,0 | 18,50          | 20,0           | 89210            | 94810          | 2,72      |
| QHH45HA     |                        |                |      |                              |      |                | 80  | 128,8          | 171,2 |                |                |      |          |      |                |                | 108720           | 128430         | 3,59      |
| HGH55CA     | 80                     | 13,0           | 23,5 | 100                          | 75,0 | 12,5           | 75  | 117,7          | 166,7 | 27,35          | 11,00          | 12,9 | M12 × 18 | 17,5 | 22,00          | 29,0           | 114440           | 148330         | 4,17      |
| HGH55HA     |                        |                |      |                              |      |                | 95  | 155,8          | 204,8 | 36,40          |                |      |          |      |                |                | 139350           | 196200         | 5,49      |
| HGH65CA     | 90                     | 15,0           | 31,5 | 126                          | 76,0 | 25,0           | 70  | 144,2          | 200,2 | 43,10          | 14,00          | 12,9 | M16 × 20 | 25,0 | 15,00          | 15,0           | 163630           | 215330         | 7,00      |
| HGH65HA     |                        |                |      |                              |      |                | 120 | 203,6          | 259,6 | 47,80          |                |      |          |      |                |                | 208360           | 303130         | 9,82      |

Dimensions of the rail see page 16, standard and optional lubrication adapters see page 86.