

## 1.7.9 Dimensions of the RG/QR block

### 1.7.9.1 RGH/QRH

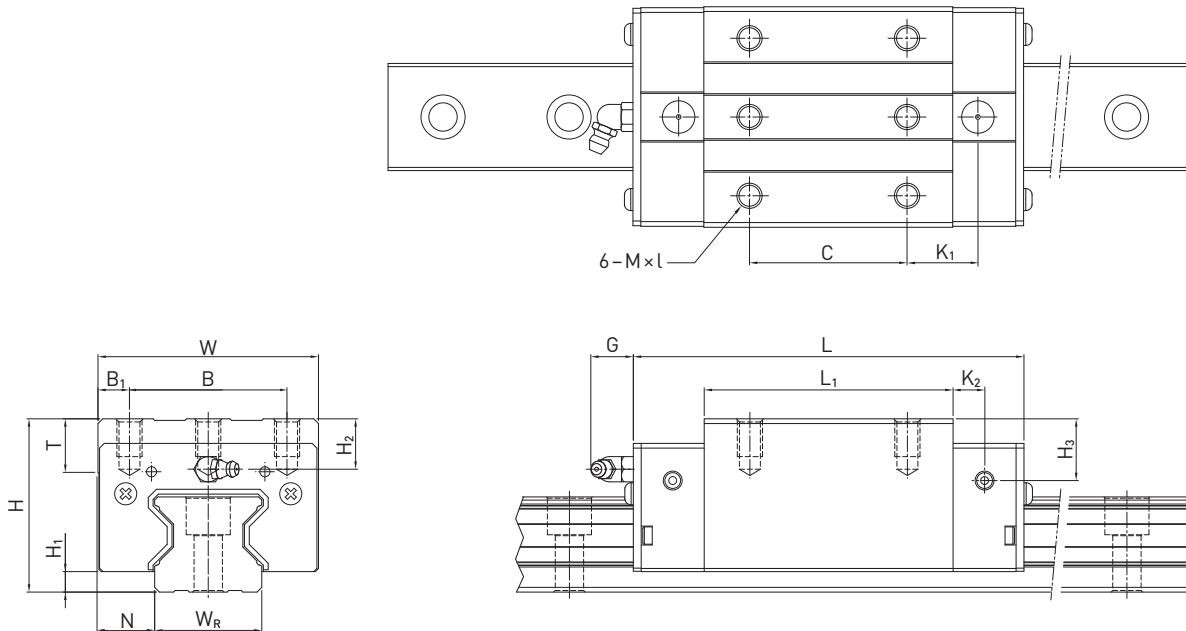


Table 1.108 Dimensions of the block

Series Size	Installation dim. [mm]			Dimensions of the block [mm]													Load Ratings [N]		Mass [kg]
	H	H <sub>1</sub>	N	W	B	B <sub>1</sub>	C	L <sub>1</sub>	L	K <sub>1</sub>	K <sub>2</sub>	G	M × l	T	H <sub>2</sub>	H <sub>3</sub>	C <sub>dyn</sub>	C <sub>0</sub>	
RGH25CA	40	5,5	12,5	48	35,0	6,5	35	64,5	97,9	20,75	7,25	12,0	M6 × 8	9,5	10,20	10,0	27700	57100	0,61
RGH25HA							50	81,0	114,4	21,50							33900	73400	0,75
QRH25CA	40	5,5	12,5	48	35,0	6,5	35	66,0	97,9	20,75	7,25	12,0	M6 × 8	9,5	10,20	10,0	38500	54400	0,60
QRH25HA							50	81,0	112,9	21,50							44700	65300	0,74
RGH30CA	45	6,0	16,0	60	40,0	10,0	40	71,0	109,8	23,50	8,00	12,0	M8 × 10	9,5	9,50	10,3	39100	82100	0,90
RGH30HA							60	93,0	131,8	24,50							48100	105000	1,16
QRH30CA	45	6,0	16,0	60	40,0	10,0	40	71,0	109,8	23,50	8,00	12,0	M8 × 10	9,5	9,50	10,3	51500	73000	0,89
QRH30HA							60	93,0	131,8	24,50							64700	95800	1,15
RGH35CA	55	6,5	18,0	70	50,0	10,0	50	79,0	124,0	22,50	10,00	12,0	M8 × 12	12,0	16,00	19,6	57900	105200	1,57
RGH35HA							72	106,5	151,5	25,25							73100	142000	2,06
QRH35CA	55	6,5	18,0	70	50,0	10,0	50	79,0	124,0	22,50	10,00	12,0	M8 × 12	12,0	16,00	19,6	77000	94700	1,56
QRH35HA							72	106,5	151,5	25,25							95700	126300	2,04
RGH45CA	70	8,0	20,5	86	60,0	13,0	60	106,0	153,2	31,00	10,00	12,9	M10 × 17	16,0	20,00	24,0	92600	178800	3,18
RGH45HA							80	139,8	187,0	37,90							116000	230900	4,13
QRH45CA	70	8,0	20,5	86	60,0	13,0	60	106,0	153,2	31,00	10,00	12,9	M10 × 17	16,0	20,00	24,0	123200	156400	3,16
QRH45HA							80	139,8	187,0	37,90							150800	208600	4,10
RGH55CA	80	10,0	23,5	100	75,0	12,5	75	125,5	183,7	37,75	12,50	12,9	M12 × 18	17,5	22,00	27,5	130500	252000	4,89
RGH55HA							95	173,8	232,0	51,90							167800	348000	6,68
RGH65CA	90	12,0	31,5	126	76,0	25,0	70	160,0	232,0	60,80	15,80	12,9	M16 × 20	25,0	15,00	15,0	213000	411600	8,89
RGH65HA							120	223,0	295,0	67,30							275300	572700	12,13

Dimensions of the rail see page 79, standard- and optional lubrication adapters see page 86.