

Linear Guideways

RG/QR series

1.7.9.2 RGW/QRW

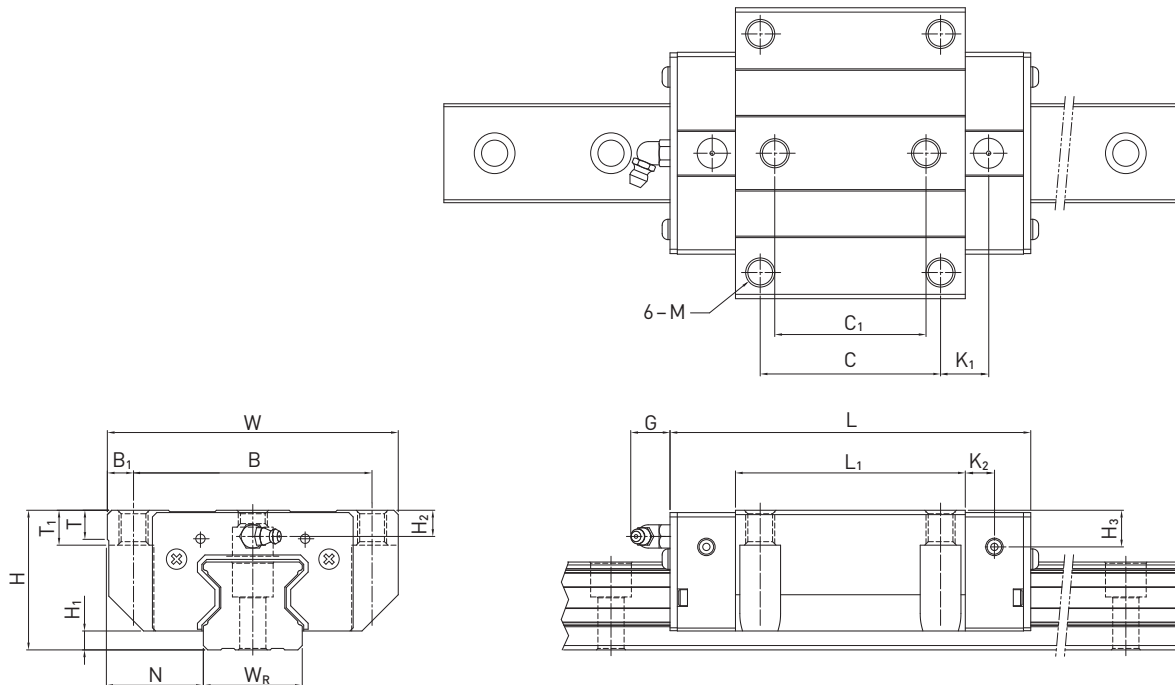


Table 1.109 Dimensions of the block

Series Size	Installation dimensions [mm]			Dimensions of the block [mm]															Load Ratings [N]		Mass [kg]
	H	H ₁	N	W	B	B ₁	C	C ₁	L ₁	L	K ₁	K ₂	G	M	T	T ₁	H ₂	H ₃	C _{dyn}	C ₀	
RGW25CC	36	5,5	23,5	70	57	6,5	45	40	64,5	97,9	15,75	7,25	12,0	M8	9,5	10	6,20	6,0	27700	57100	0,72
RGW25HC									81,0	114,4	24,00								33900	73400	
QRW25CC	36	5,5	23,5	70	57	6,5	45	—	66,0	97,9	15,75	7,25	12,0	M8	9,5	10	6,20	6,0	38500	54400	0,71
QRW25HC								81,0	112,9	24,00	44700								65300	0,90	
RGW30CC	42	6,0	31,0	90	72	9	52	44	71,0	109,8	17,50	8,00	12,0	M10	9,5	10	6,50	7,3	39100	82100	1,16
RGW30HC									93,0	131,8	28,50								48100	105000	
QRW30CC	42	6,0	31,0	90	72	9	52	—	71,0	109,8	17,50	8,00	12,0	M10	9,5	10	6,50	7,3	51500	73000	1,15
QRW30HC								93,0	131,8	28,50	64700								95800	1,51	
RGW35CC	48	6,5	33,0	100	82	9	62	52	79,0	124,0	16,50	10,00	12,0	M10	12,0	13	9,00	12,6	57900	105200	1,75
RGW35HC									106,5	151,5	30,25								73100	142000	
QRW35CC	48	6,5	33,0	100	82	9	62	—	79,0	124,0	16,50	10,00	12,0	M10	12,0	13	9,00	12,6	77000	94700	1,74
QRW35HC								106,5	151,5	30,25	95700								126300	2,38	
RGW45CC	60	8,0	37,5	120	100	10	80	60	106,0	153,2	21,00	10,00	12,9	M12	14,0	15	10,00	14,0	92600	178800	3,43
RGW45HC									139,8	187,0	37,90								116000	230900	
QRW45CC	60	8,0	37,5	120	100	10	80	—	106,0	153,2	21,00	10,00	12,9	M12	14,0	15	10,00	14,0	123200	156400	3,41
QRW45HC								139,8	187,0	37,90	150800								208600	4,54	
RGW55CC	70	10,0	43,5	140	116	12	95	70	125,5	183,7	27,75	12,50	12,9	M14	16,0	17	12,00	17,5	130500	252000	5,43
RGW55HC									173,8	232,0	51,90								167800	348000	
RGW65CC	90	12,0	53,5	170	142	14	110	82	160,0	232,0	40,80	15,80	12,9	M16	22,0	23	15,00	15,0	213000	411600	11,63
RGW65HC									223,0	295,0	72,30								275300	572700	

Dimensions of the rail see page 79, standard- and optional lubrication adapters see page 86.