

# Linear Guideways

## WE series

### 1.4.9 Dimensions of the WE block

#### 1.4.9.1 WEH

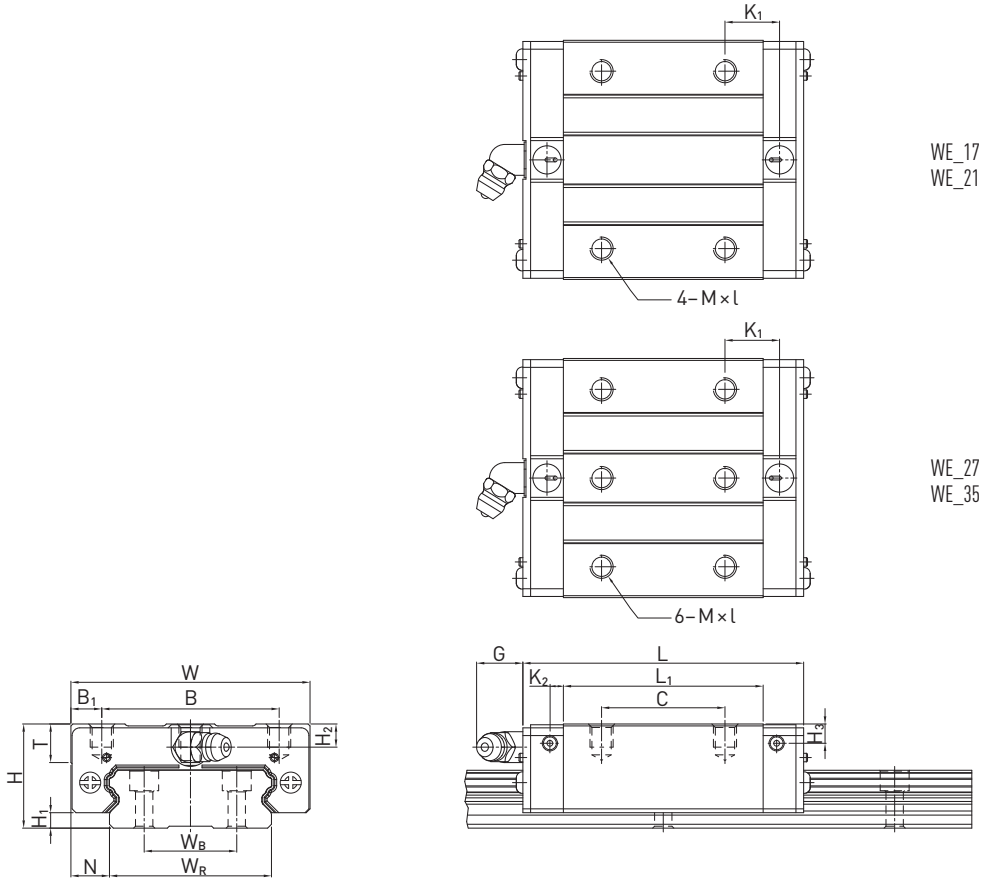


Table 1.47 Dimensions of the block

Series Size	Installation dim. [mm]			Dimensions of the block [mm]													Load Ratings [N]		Mass [kg]
	H	H <sub>1</sub>	N	W	B	B <sub>1</sub>	C	L <sub>1</sub>	L	K <sub>1</sub>	K <sub>2</sub>	G	M × l	T	H <sub>2</sub>	H <sub>3</sub>	C <sub>dyn</sub>	C <sub>0</sub>	
WEH17CA	17	2,5	8,5	50	29,0	10,5	15	35,0	50,6	—	3,10	4,9	M4 × 5	6,0	4,00	3,0	5230	9640	0,12
WEH21CA	21	3,0	8,5	54	31,0	11,5	19	41,7	59,0	14,68	3,65	12,0	M5 × 6	8,0	4,50	4,2	7210	13700	0,20
WEH27CA	27	4,0	10,0	62	46,0	8,0	32	51,8	72,8	14,15	3,50	12,0	M6 × 6	10,0	6,00	5,0	12400	21600	0,35
WEH35CA	35	4,0	15,5	100	76,0	12,0	50	77,6	102,6	18,35	5,25	12,0	M8 × 8	13,0	8,00	6,5	29800	49400	1,10

Dimensions of the rail see page 44, standard and optional lubrication adapters see page 86.